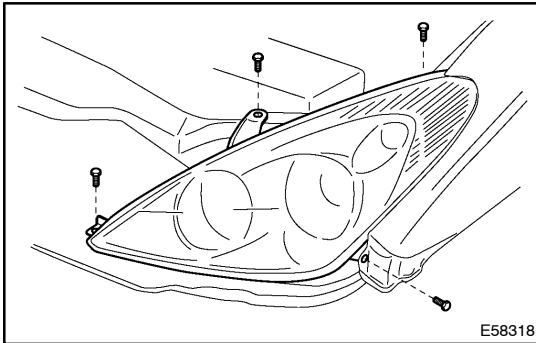


OVERHAUL

HINT:

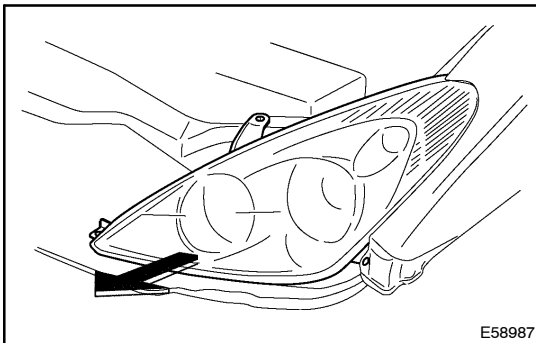
COMPONENTS: See page 65-9

1. **REMOVE FRONT FENDER LINER LH**
(See page 76-2)
2. **REMOVE FRONT FENDER LINER RH**
(See page 76-2)
3. **REMOVE FRONT BUMPER COVER**
(See page 76-2)

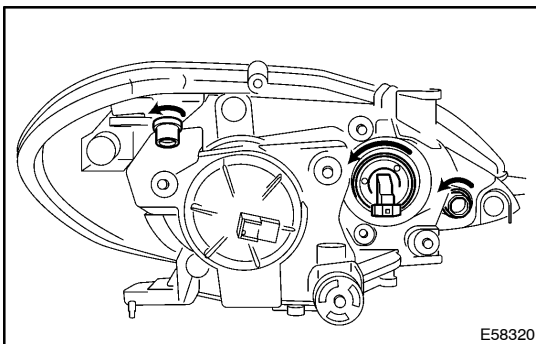


4. HEAD LIGHT ASSY

- (a) Remove the 4 screws.
- (b) Disconnect the connectors.



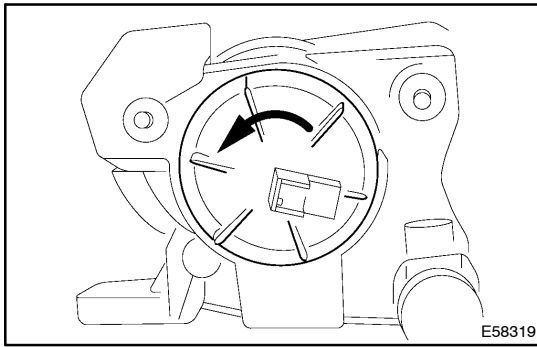
- (c) Pull out the headlight unit forward.
- (d) Remove the headlight assy.



5. REMOVE CLEARANCE LAMP BULB

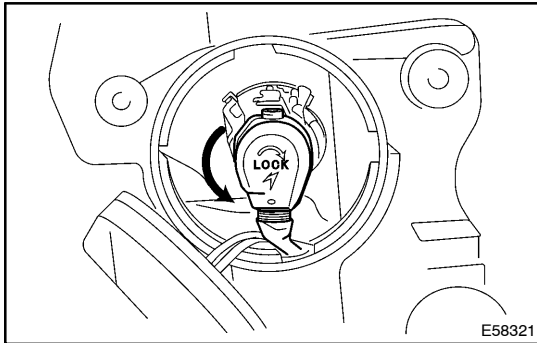
- (a) Remove the clearance light bulb as shown in the illustration.

6. **REMOVE FRONT TURN SIGNAL LAMP BULB**
7. **REMOVE HEADLAMP, NO.2 BULB**
8. **REMOVE HEADLAMP, NO.1 BULB(HALOGEN HEAD LAMP)**

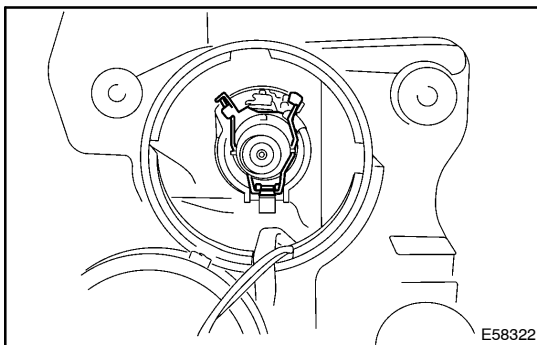


9. REMOVE DISCHARGE HEADLAMP BULB(DISCHARGE HEAD LAMP)

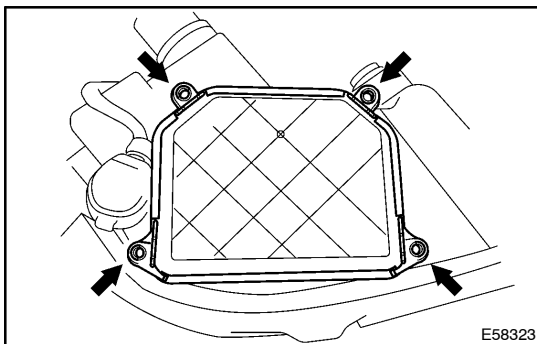
- (a) Remove the headlight bulb cover in the illustration.



- (b) Rotate the bulb socket cover in the direction of the arrow and pull it off backward of the vehicle.

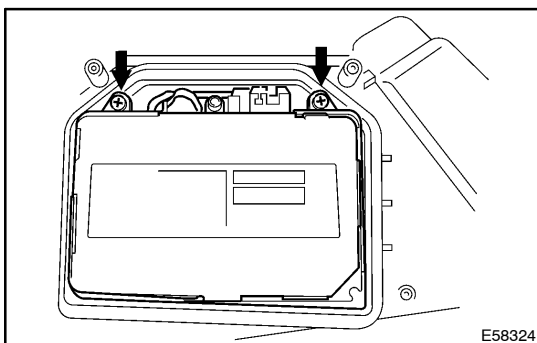


- (c) Release the lock of the set spring and remove the discharge headlamp bulb.

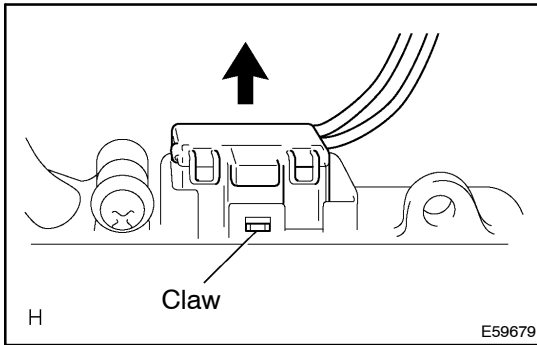


10. REMOVE SUB-ASSY HEADLAMP LIGHT CONTROL ECU LH(DISCHARGE HEAD LAMP)

- (a) Remove the 4 screws and headlight light control ECU cover.



- (b) Remove the 2 screws.

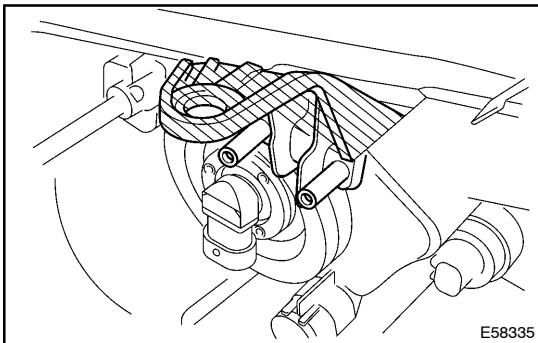


- (c) Release the claw, disconnect the connector.
- (d) Remove the headlight light control ECU sub-assy LH.

11. INSTALL HEADLAMP PROTECTOR RETAINER UPPER LH

HINT:

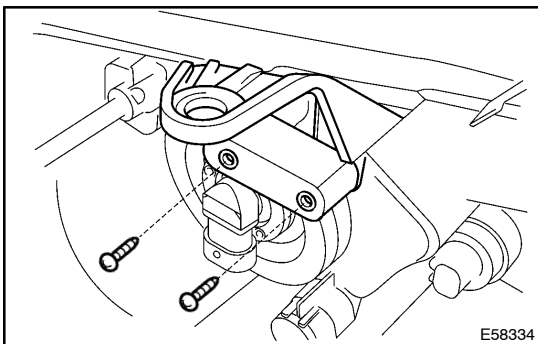
When only the installation part of the headlight unit assy LH is damaged, it can be repaired inexpensively by using a headlight protector retainer UPPER LH. In this case, however, the headlight unit assy LH itself should not be damaged.



- (a) Cut off the part shaded in the illustration and properly it with sandpaper.

NOTICE:

After cutting off the part roughly, place the headlight protector retainer UPPER LH against the bosses and gradually file any interfering part until the proper condition for installation is made.

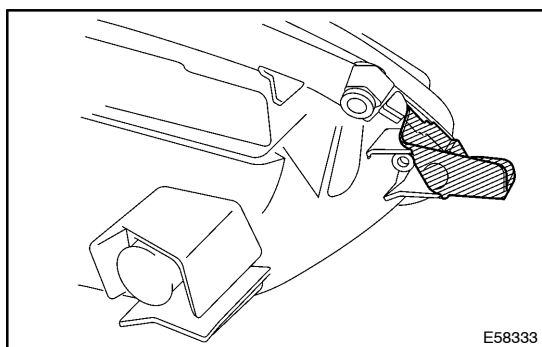


- (b) Install the headlight protector retainer UPPER LH with the 2 screws.

12. INSTALL HEADLAMP PROTECTOR RETAINER LWR LH

HINT:

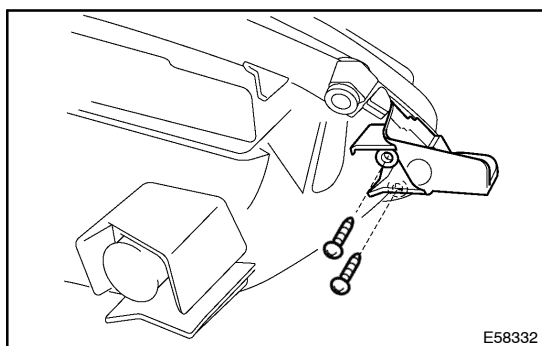
When only the installation part of the headlight unit assy LH is damaged, it can be repaired inexpensively by using a headlight protector retainer LWR LH. In this case, however, the headlight unit assy LH itself should not be damaged.



- (a) Cut off the part shaded in the illustration and properly it with sandpaper.

NOTICE:

After cutting off the part roughly, place the headlight protector retainer LWR LH against the bosses and gradually file any interfering part until the proper condition for installation is made.



- (b) Install the headlight protector retainer LWR LH with the 2 screws.

13. PUT VEHICLE THESE CONDITIONS(See page 65-14)
14. ADJUST FOG LIGHT AIM(See page 65-17)
15. HEADLIGHT AIM ONLY(See page 65-14)